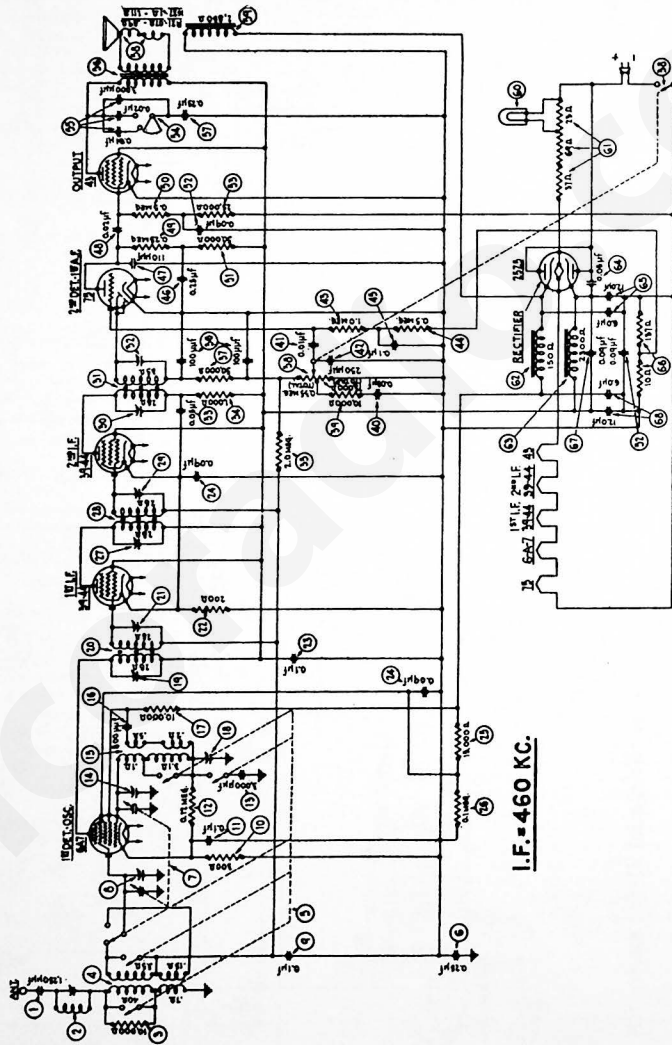


MODEL 28

(A.C. - D.C.)



I.F. = 460 KC.

Waveband Switch Shown in Standard Broadcast Position

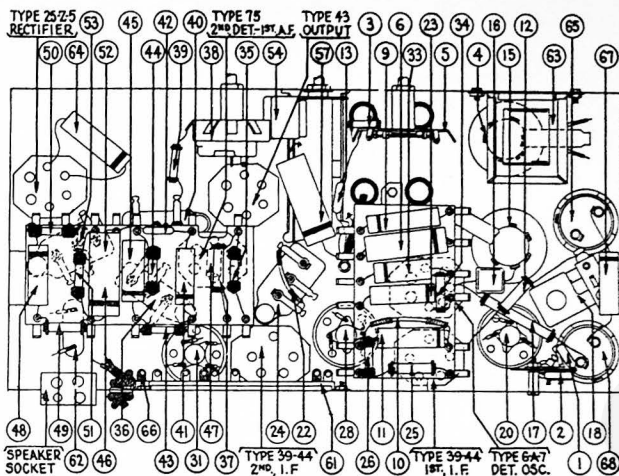


Fig. 4—Bottom View of Chassis Showing Parts.

REPLACEMENT PARTS — MODEL 28

No. on Diagram	Description	Part No.
①	Condenser (.00125 mfd.—Mica)	5856
②	Wave Trap	38-6060
③	Resistor (10,000 ohms) (Brown-Black-Orange)	33-1000
④	Antenna Transformer	32-1380
⑤	Wave Band Switch	42-1062
⑥	Condenser (.25 mfd.—Tubular)	30-4146
⑦	Tuning Condenser Assembly	31-1366
⑧	Compensating Condenser (Antenna)	Part of ⑦
⑨	Condenser (.1 mfd.—Tubular)	30-4122
⑩	Resistor (400 ohms—Flex.) (Yellow-Black-Brown)	33-3016
⑪	Condenser (.1 mfd.—Tubular)	30-4122
⑫	Resistor (120,000 ohms) (Brown-Red-Yellow)	33-1128
⑬	Condenser (.003 mfd.—Mica)	30-1028
⑭	Compensating Condenser (Osc. H. F.)	Part of ⑦
⑮	Oscillator Transformer	32-1361
⑯	Condenser (.0008 mfd.—Mica)	5878
⑰	Resistor (10,000 ohms) (Brown-Black-Orange)	3524
⑱	Compensating Condenser (Osc. L. F.)	04000S
⑲	Compensating Condenser (1st I. F. Primary)	Part of ⑳
⑳	First I. F. Transformer	32-1362
㉑	Compensating Condenser (1st I. F. Secondary)	Part of ⑳
㉒	Resistor (200 ohms—Flex.) (Red-Black-Black)	7217
㉓	Condenser (.1 mfd.—Tubular)	30-4122
㉔	Condenser (.09 mfd.—Twin Bakelite Block)	4989M
㉕	Resistor (15,000 ohms) (Brown-Green-Orange)	8208
㉖	Resistor (.1 meg.) (White-White-Orange)	4411
㉗	Compensating Condenser (2d I. F. Primary)	Part of ㉘
㉘	2d I. F. Transformer	32-1363
㉙	Compensating Condenser (2d I. F. Secondary)	Part of ㉘
㉚	Compensating Condenser (3d I. F. Primary)	Part of ㉛
㉛	3d I. F. Transformer	32-1364
㉜	Compensating Condenser (3d I. F. Secondary)	Part of ㉛
㉝	Condenser (.05 mfd.—Tubular)	30-4030
㉞	Resistor (1000 ohms) (Brown-Black-Red)	5837
㉟	Resistor (2 megs.) (Red-Black-Green)	5872
㊱	Condenser (.0001 mfd.—Twin-Bakelite Block)	8035E
㊲	Resistor (50,000 ohms) (Green-Brown-Orange)	4518
㊳	Volume Control and On-Off Switch (350,000 ohms, tapped at 75,000)	33-5068 1.45
㊴	Resistor (10,000 ohms) (Brown-Black-Orange)	33-1000
㊵	Condenser (.05 mfd.—Bakelite Block)	3615-BU
㊶	Condenser (.01 mfd.—Tubular)	30-4124
㊷	Condenser (.00025 mfd.—Mica)	5858

No. on Diagram	Description	Part No.
㊸	Resistor (1 meg.) (Brown-Black-Green)	4409
㊹	Resistor (.5 meg.) (Yellow-White-Yellow)	4517
㊺	Condenser (.1 mfd.—Tubular)	30-4122
㊻	Condenser (.25 mfd.—Tubular)	30-4146
㊼	Condenser (.00011 mfd.—Mica)	30-1031
㊽	Condenser (.02 mfd.—Mica)	30-4113
㊾	Resistor (.25 meg.) (Red-Yellow-Yellow)	4410
㊿	Resistor (.5 meg.) (Yellow-White-Yellow)	4517
①	Resistor (50,000 ohms) (Green-Brown-Orange)	4513
②	Condenser (.09 mfd.—Twin-Bakelite Block)	4989M
③	Resistor (25,000 ohms) (Red-Green-Orange)	33-1013
④	Tone Control (3-point)	30-4211
⑤	Condensers (In tone control)	Inside ④
⑥	Output Transformer (2SC)	32-7243
⑦	Condenser (.25 mfd.—Tubular)	30-4146
⑧	Voice Coil and Cone Assembly	P-31..... 02861 K-37..... 35-3159
⑨	Field Coil and Pot Assembly	P-31..... 36-3357 K-37..... 36-3362
⑩	Pilot Lamp	4567
⑪	Resistor (Wire Wound, New Type) (37, 63, 29 ohms)	33-3159
⑫	Filter Choke	5658
⑬	Filter Choke	33-7018
⑭	Condenser (.05 mfd.—Tubular)	30-4123
⑮	Condenser (Electrolytic 6 and 12 mfd., 150 volts)	30-2068
⑯	Resistor (Wire Wound, New Type) (10, 137 ohms)	33-3158
⑰	Condenser (.09 mfd.—Tubular)	30-4122
⑱	Condenser (Electrolytic 6 and 12 mfd., 150 volts)	30-2068
⑲	Five-prong Socket	7546
⑳	Six-prong Socket	7547
㉑	Seven-prong Socket	27-6005
㉒	Knob (large)	27-4051
㉓	Knob (small)	27-4053
㉔	Dial Assembly	31-1208
㉕	Speaker Socket (Except 2SC)	4957
㉖	A.C. Cord and Plug Assembly	L-943A
㉗	Chassis Mounting Screw	W-1345
㉘	Chassis Mounting Washer	29-2089
㉙	Chassis Mounting Post	27-4116
㉚	Chassis Mounting Foot Plate	27-7497
㉛	Back Cover (28-C only)	29-2008
㉜	Bottom Shield Plate	29-2006